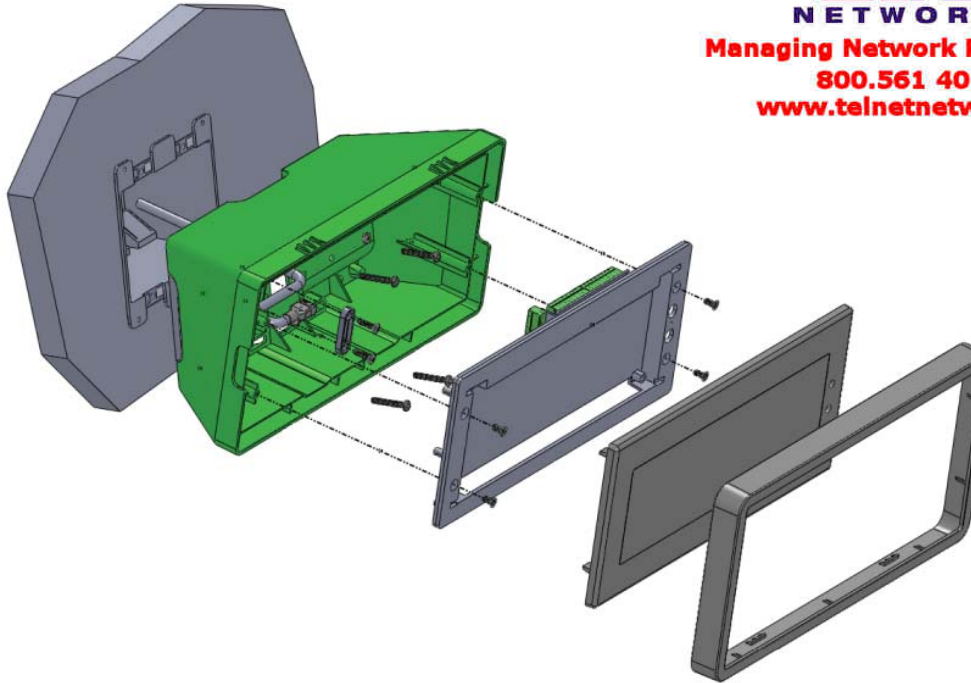


NetClock® WiSync™ Mounting Details

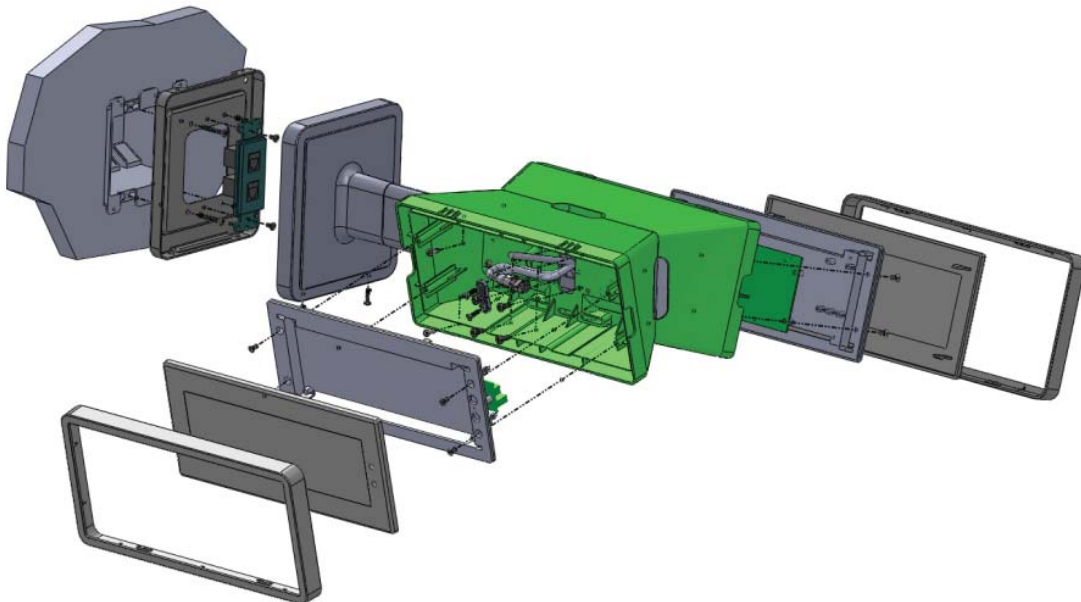
2.5" and 4.0" Digital Wireless Display Clocks

Surface Mount



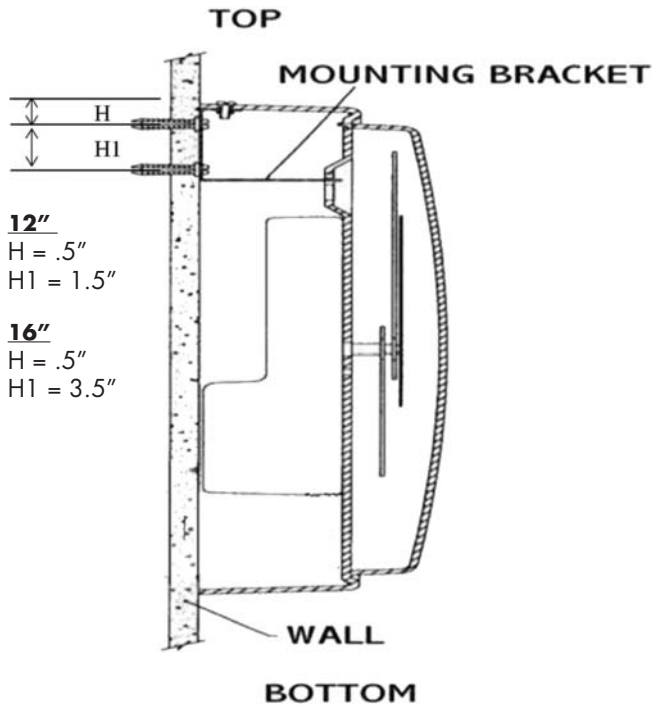
Distributed by
TELNET
NETWORKS
Managing Network Performance
800.561 4019
www.telnetnetworks.ca

Double Mount

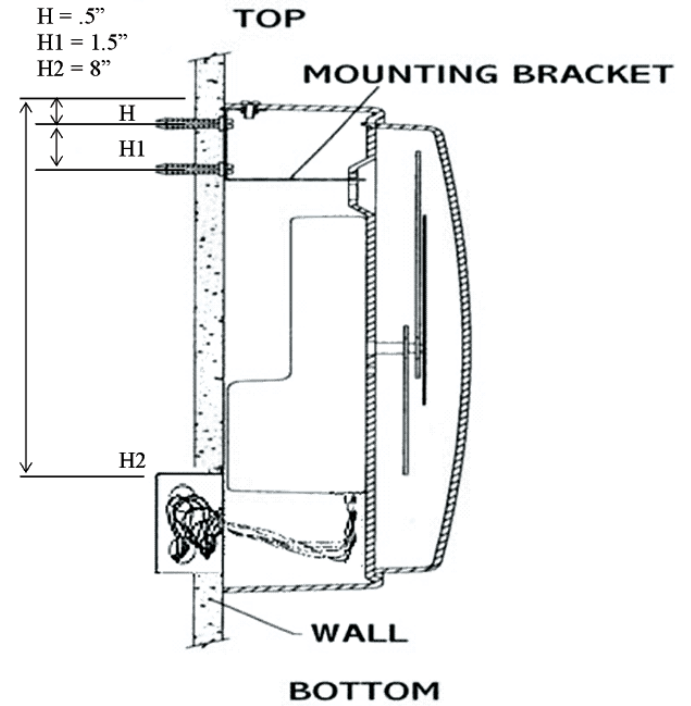


12" and 16" Analog Battery and 24V/110V Wireless Display Clocks

Single Mount (Battery)

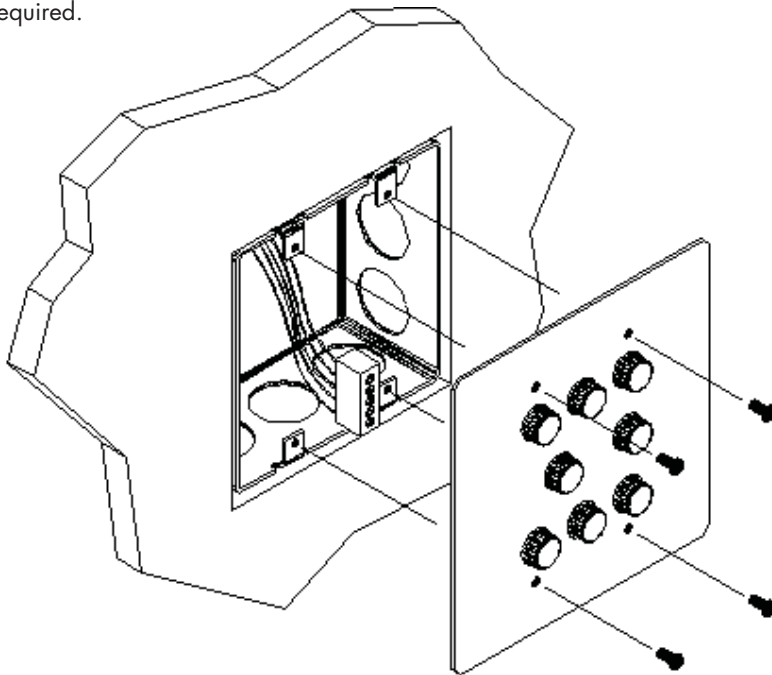


Single Mount (12V/110V)



Elapsed Timer Control Box

Standard double gang box required.



Distributed by
TELNET
 NETWORKS
 Managing Network Performance
 800.561 4019
 www.telnetnetworks.ca