

Round Analog Double Mount Housing (V2)

Features:

- Connects two round analog clocks for a double-sided time display
- Mounts to a wall or ceiling
- Adjustable position
- Easy installation
- UL and cUL listed



Specifications:

- Color: Mineral Black
- Weight:

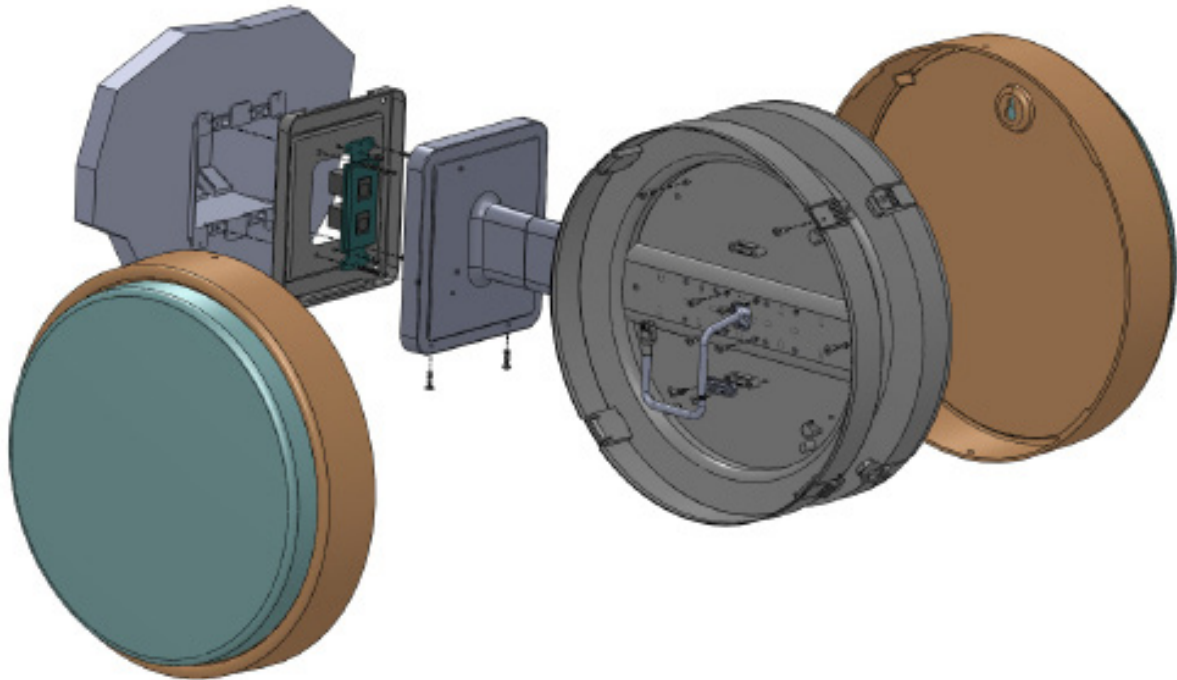
| | |
|-----------------|-------------------|
| 12" rear cover: | 1 lb. (.45 kg) |
| 16" rear cover: | 1.5 lbs. (.68 kg) |
| Base and pole: | 1.5 lbs (.68 kg) |
- Rear Clock Cover Dimensions: (Diameter and Depth)

| | |
|-----------------|---|
| 12" rear cover: | 12.40" (31.5 cm) Dia, 2.28" (5.80 cm) D |
| 16" rear cover: | 16.39" (5.79 cm) Dia, 2.97" (7.54 cm) D |
- Mounting Base and Pole Dimensions: 13.7" (34.8cm) L x 5.7" (14.5cm) W x 6.6" (16.7 cm) D
- Mounting: Wall or ceiling
- Material:

| | |
|-----------------|-----------------------------------|
| Mounting Plate: | Metal |
| Pole: | ABS reinforced by 30% glass fiber |



CAD Drawing:



Ordering Information

SAB-4BD-SSR-0

SS - Clock Size
12 - 12" clock
16 - 16" clock

*specification sheets may change without prior notice