

Digital Double Mount Housing (V1)

Features:

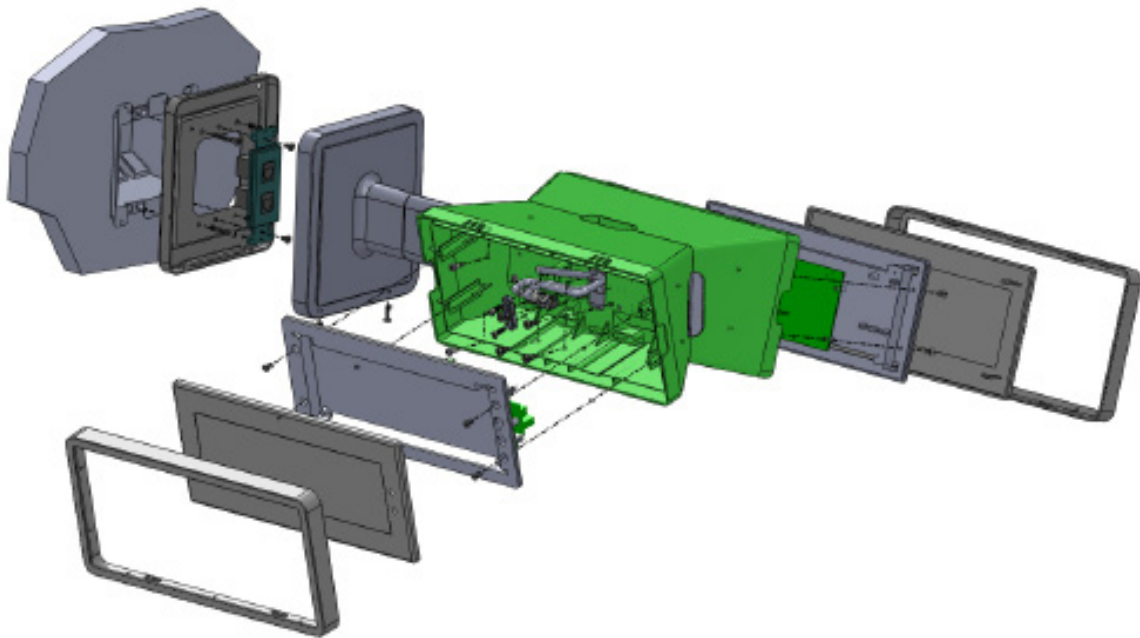
- Connects two digital clocks for a double-sided time display
- Mounts to wall or ceiling
- Adjustable position
- Easy installation
- UL, cUL pending compliance
- Perfect for hallway applications



Specifications:

- Color: Black housing with gray frame
- Weight:
 - 2.5", 4 digit: 1 lb. (.45 kg)
 - 2.5", 6 digit: 1 lb. (.45 kg)
 - 4", 4 digit: 1.5 lb (.68 kg)
 - 4", 6 digit: 2 lb (.91 kg)
 - Base and pole: 1.5 lbs (.68 kg)
- Housing dimensions: (LxWxD)
 - 2.5", 4 digit: 11.06" (28.09 cm) L x 5.35" (13.59 cm) W x 3.90" (9.90 cm) D
 - 2.5", 6 digit: 14.41" (36.60 cm) L x 5.35" (13.59 cm) W x 3.90" (9.90 cm) D
 - 4", 4 digit: 14.10" (35.80 cm) L x 7.56" (19.20 cm) W x 3.86" (9.80) D
 - 4", 6 digit: 19.26" (48.92 cm) L x 7.56" (19.20 cm) W x 3.86" (9.80) D
- Metal Base Dimensions: 5.35" (13.9 cm) L x 6.20" (15.75 cm) W, 0.55" (1.39 cm) D
- Mounting Base and Pole Dimensions:
 - Base: 5.75" (14.6 cm) L x 6.53" (16.59 cm) W x 0.75" (1.90 cm) D
 - Pole: 12.72" (32.30) L x 2.32" (5.89) W x 0.79" (2.00 cm) D
- Mounting: Left or right wall and Ceiling
- Material: Smooth surface ABS

CAD Drawing



Ordering Information

SAB-4GD-005-0

*specification sheets may change without prior notice



The Sapling Company, Inc.
1633 Republic Road
Huntingdon Valley, PA 19006
USA

P. +1 215.322.6063
F. +1 215.322.8498
www.sapling-inc.com