

Digital Surface Mount Housing (V1)

Features:

- 2-piece, high quality ABS plastic housing
- Mounts to surface of the wall
- Mounts directly to gang box, no anchors required
- Easy installation
- UL, cUL pending compliance

Specifications:

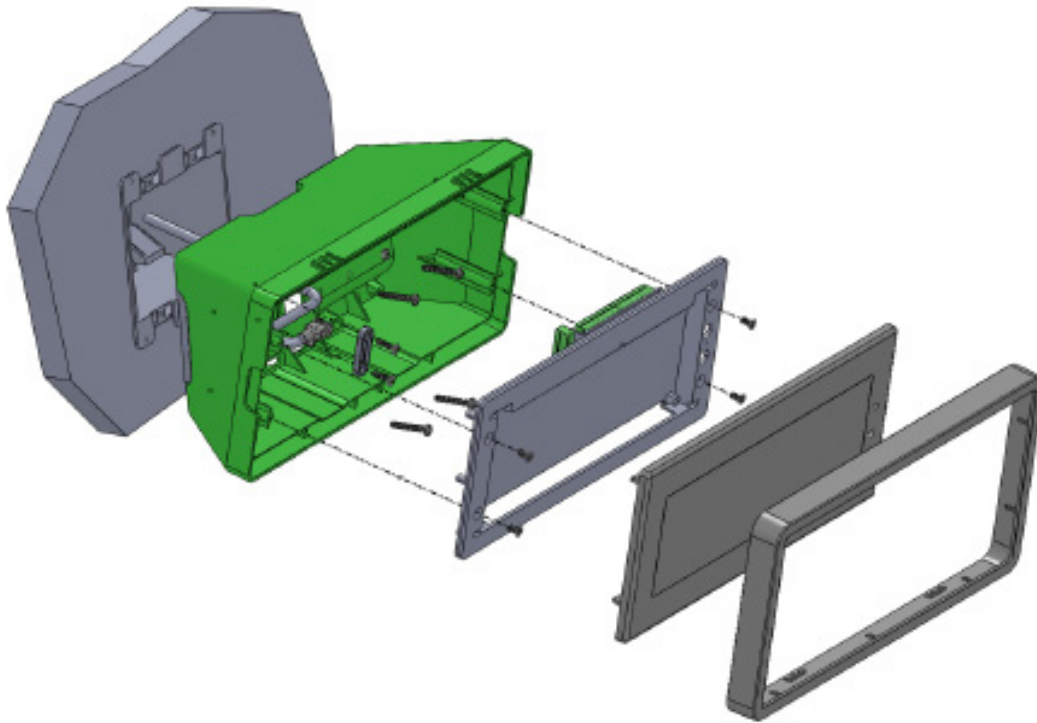
- Color: Black housing with gray frame
- Weight:

2.5", 4 digit:	1 lb. (.45 kg)
2.5", 6 digit:	1 lb. (.45 kg)
4", 4 digit:	1.5 lb. (.68 kg)
4", 6 digit:	2 lb. (.91 kg)
- Housing dimensions: (LxWxD)

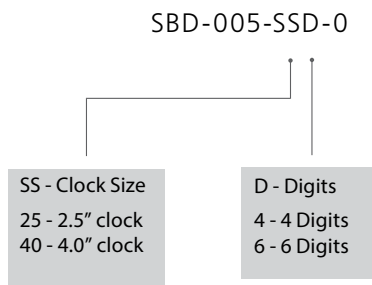
2.5", 4 digit:	11.06" (28.10 cm) L x 5.35" (13.59 cm) W x 3.90" (9.90 cm) D
2.5", 6 digit:	14.41" (36.60 cm) L x 5.35" (13.59 cm) W x 3.90" (9.90 cm) D
4", 4 digit:	14.10" (35.81 cm) L x 7.56" (19.20 cm) W x 3.86" (9.80 cm) D
4", 6 digit:	19.26" (48.92 cm) L x 7.56" (19.20 cm) W x 3.86" (9.80 cm) D
- Mounting: Left or right wall and Ceiling
- Material: Smooth ABS plastic



CAD Drawing:



Ordering Information



*specification sheets may change without prior notice