

## Analog Double Mount Housing (V2)

### Features:

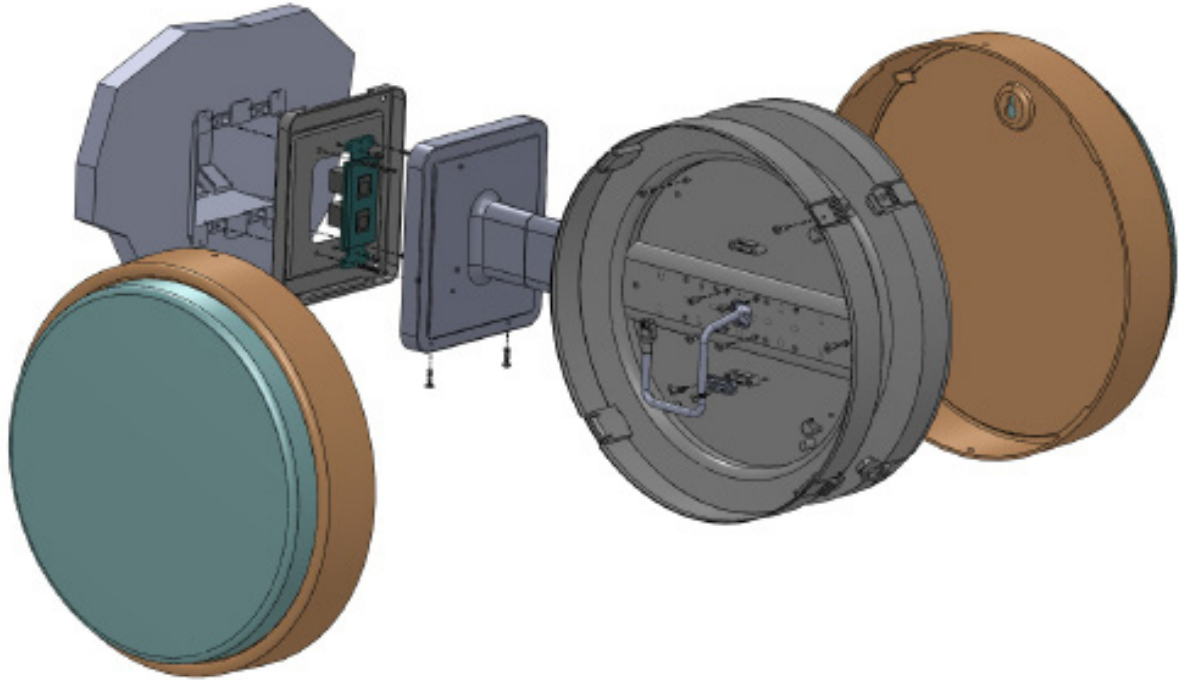
- Connects two analog clocks for a double-sided time display
- Mounts to wall or ceiling
- Adjustable position
- Easy installation
- UL, cUL pending compliance
- Perfect for hallway applications

### Specifications:

- Color: Black or white
- Weight: 12" rear cover: 1 lb. (.45 kg)  
16" rear cover: 1.5 lbs. (.68 kg)  
Base and pole: 1.5 lbs (.68 kg)
- Rear Clock Cover dimensions: (Diameter and Depth) 12" rear cover: 12.40" (31.5 cm) Dia,  
2.28" (5.80 cm) D  
16" rear cover: 16.39" (5.79 cm) Dia,  
2.97" (7.54 cm) D
- Metal Base Dimensions: 5.35" (13.9 cm) L x 6.20" (15.75 cm) W, 0.55" (1.39 cm) D
- Mounting Base and Pole Dimensions: Base: 5.75" (14.6 cm) L x 6.53" (16.59 cm) W x 0.75" (1.90 cm) D  
Pole: 12.72" (32.30) L x 2.32" (5.89) W x 0.79" (2.00 cm) D
- Mounting: Left or right wall and ceiling
- Material: Smooth ABS plastic

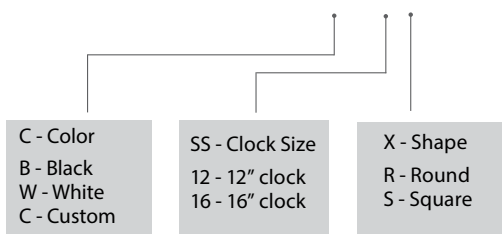


## CAD Drawing:



## Ordering Information

SAB-4CD-SSX-0



\*specification sheets may change without prior notice